

BROKIS
MATERIALITY



WORSHIP THE LIGHT



BROKIS®

ORBIS
DOUBLE
OVERLAY
PRISMA
DOME NOMAD
SFERA PORTABLE
BAMBOO FOREST
TROTTOLA
ELO



COMPANY

BROKIS combines sophisticated design, refined materials, and the extraordinary beauty of handblown Czech glass in visionary lighting collections that captivate the imagination and radiate a sense of excitement.

Titled MATERIALITY, this catalogue presents a singular poetry of excellence and intimacy in contemporary lighting. From the success of its earliest collections, BROKIS has consistently charted new territory by contrasting different materials, such as wood, metal, leather, marble, and natural rope, with handblown glass. It has also forged new dimensions by developing innovative products such as glass-infused concrete and BROKISGLASS, bold panels made from fragments of waste glass.

The brand's popularity among architects, interior designers, and customers the world over speaks to its passion for quality, detail, and flawless functionality. The use of dissimilar forms and voluminous contours in handblown glass gives rise to fascinating lighting experiences as manifold as the spaces they illuminate.

The dramatic events of recent years have awoken a greater global awareness about the state of our planet and the need for effective ways of sustaining it. To help reduce society's unchecked consumption of resources and fossil fuels, BROKIS has placed a renewed focus on creating products that provide as many years of reliable service as possible, thus protecting the planet for future generations by promoting the principles of environmental stewardship and sustainability.

SUSTAINABILITY

In terms of ecology, BROKIS has come a long way since it was established in 2010. The BROKISGLASS project was established to reuse waste glass through recycling. Arising from the ecological manufacturing practices of Janštejn Glassworks and BROKIS, it resulted in the creation of an innovative material made of glass shards discarded in the manufacture of BROKIS glass lighting collections. The project currently produces ten tons of new flat glass each week.

BROKISGLASS has brought about a significant reduction in waste material. The transformation of these shards into a new decorative product represents an environmentally friendly and efficient upcycling of material, thanks to which the glassworks is able to employ a strategic circular economy and thus contribute to the cultivation of a healthy relationship between nature and humans. The next step involves procedures for new glass blends that can be added to other materials, such as concrete, in order to achieve 100% reuse of waste glass shards. These materials are already being applied in the new Overlay collection.

BROKISGLASS makes use of discarded glass while reducing the brand's environmental impact and providing a highly distinctive aesthetic element with endless possibilities for lighting design and architecture.



ORBIS

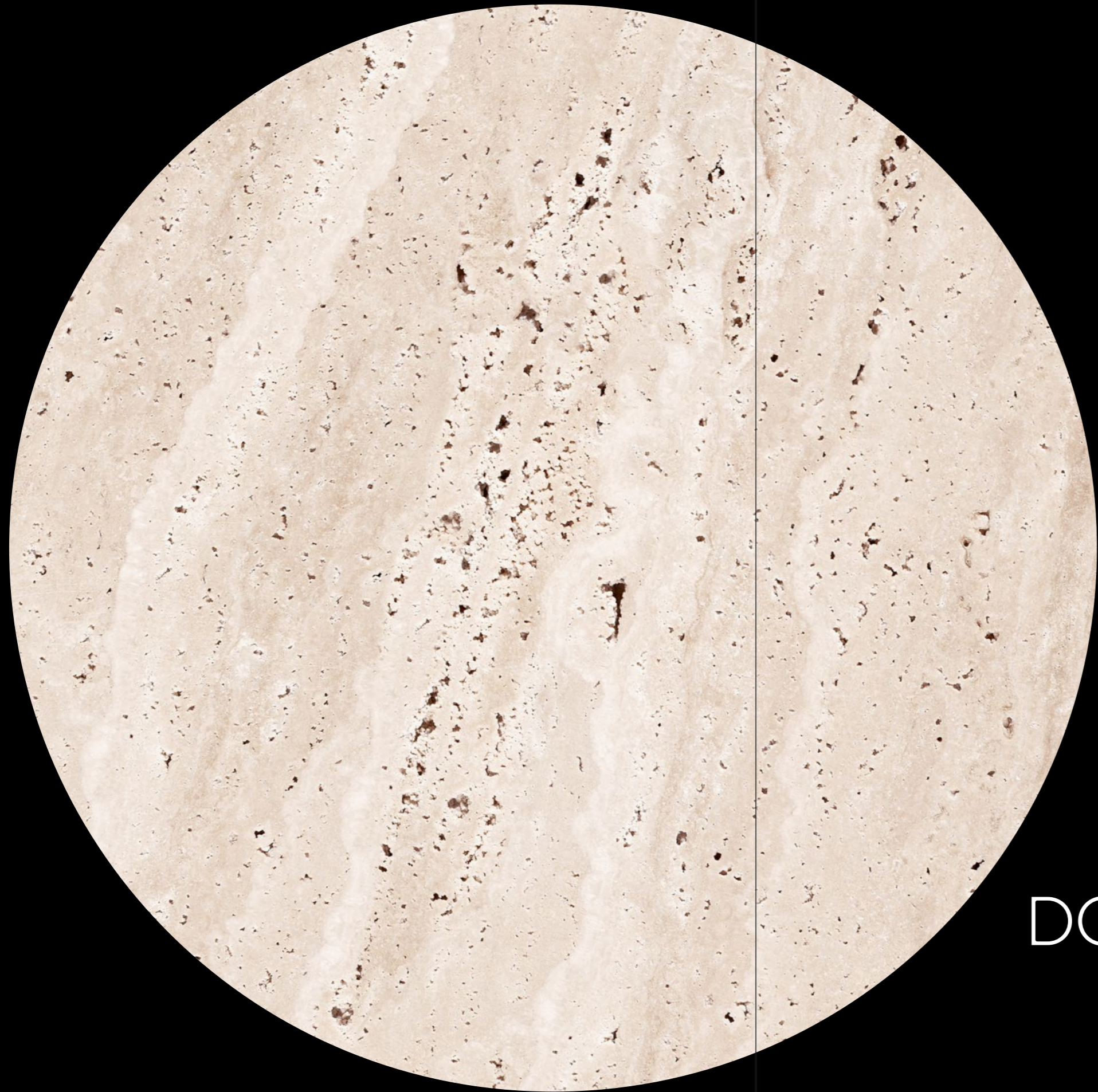
The Orbis collection is based on a universal shape rendered in handblown smoke glass that has been abruptly severed across the top to accommodate an elegant multiangular metal fixture. Rich in ambience yet enticingly minimalist, these atmospheric lights embody a sense of technicism. A diffuser conceals an LED panel within the fixture and softens the light as it radiates outwards from its source, while the multiangle serves to house a special BROKIS connector engineered for easy installation and arrangement of grand lighting compositions. Additional variability is provided by a choice of subtle grey smoke glass, with the metal fixture finished in a black powder coating that underscores the gloss of the transparent glass. These refined components come together to create an unmistakable interior charm well suited to large restaurant and hotel spaces as well as intimate private interiors. Now available with glass in one of several colour options, each of which is paired with metal components in a predetermined corresponding colour.

DESIGN LUCIE KOLDOVA



The world in a grain of sand,
eternity in a soap bubble,
peace in a perfect shape





Double, a collection of elegant pendent lights, is based on a shape comprising double elements crafted from different materials – glass and lightweight aluminium. These materials depend on one another to generate a unique and consonant form. The glass globe terminating in a metal ring provides a suggestive effect, with the handle on top alluding to the idea of portability. In the pendent variant, which is available in three different shapes, the upper metal section with wire rope seeks equilibrium in the scattered light and shadows as they pass through the lower metal ring and globe, while the latter consists of multiple layers of molten glass that are carefully scrutinized by the master glassmaker prior to blowing. The luminance of the LED light source is softened by an opal diffuser. By virtue of its scope, the Double collection is ideal for private interiors and works very well in large compositions and colour combinations.

DESIGN
LCM MARIN DESIGN STUDIO

DOUBLE

Transparency, mystery,
complementary couple
that shines and never splits





OVERLAY

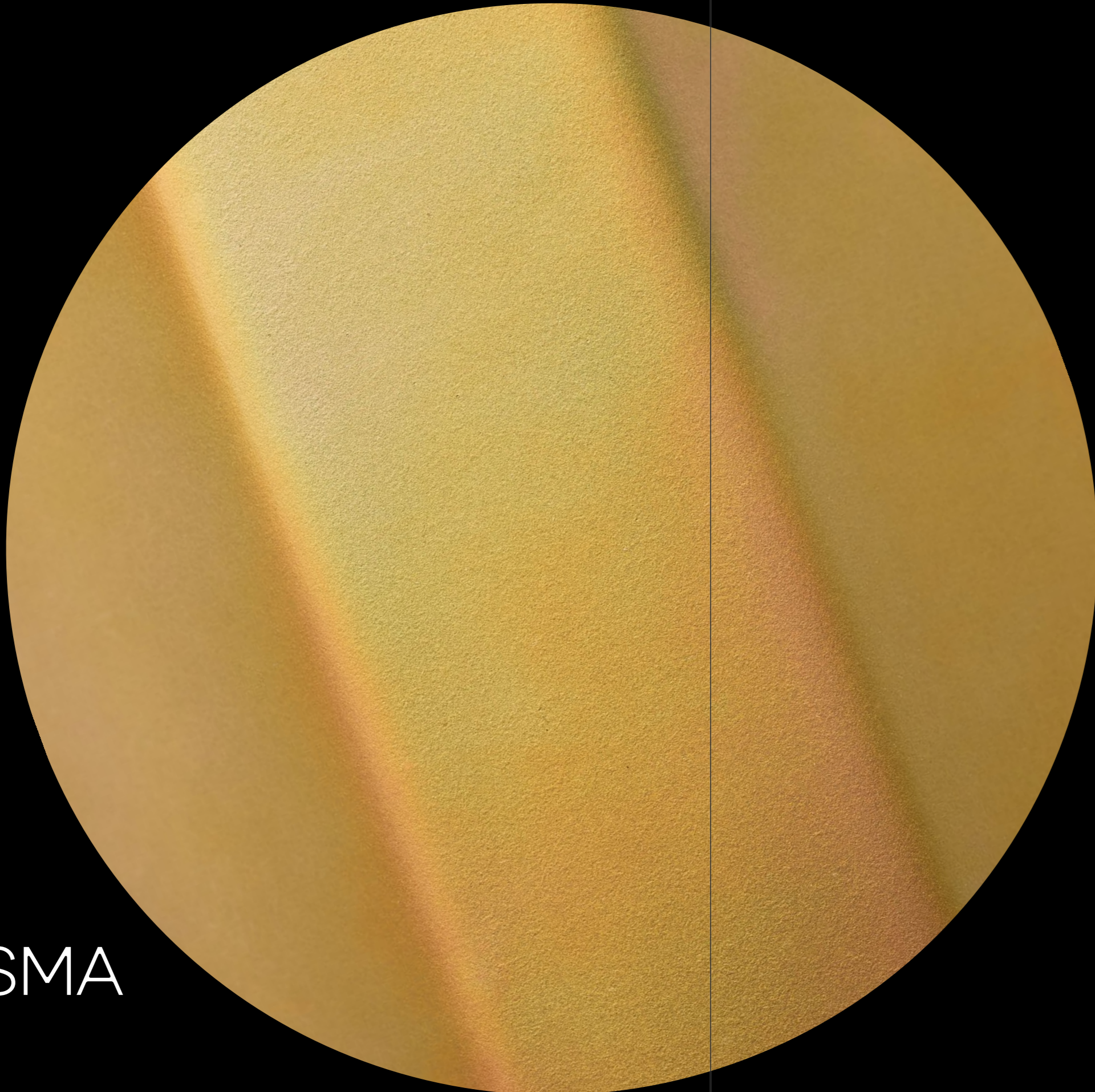
Modern yet timeless. Extravagant in its style and use of clean geometric forms. Inspired by architecture. The Overlay collection arose from a synthesis of various materials on mood boards during a creative process that involved seeking ideas and associations between art and design, overlaying different textures, and playing with volumes. The blown transparent glass tubes instil the Overlay collection with a distinctive character, as does the unique concrete fixture embedded with shards of upcycled glass from Janštejn Glassworks. The piece is cast in different rectangular volumes specifically for each type of light capable of accommodating both simple and multiple assemblies for a remarkable degree of versatility. Cradled within the concrete fixture is a delicate sleeve of either frosted or clear glass, its centreline struck by a light tube that seemingly levitates within. The typology of the Overlay collection comprises horizontal pendant variants, table lights, and wall lights that open the door to a new realm of possibilities in lighting art.

DESIGN LUCIE KOLDOVA



Noblesse, linearity,
symbiosis of contrasts,
inspired by architecture





The dominant feature of the Prisma collection is an extravagant metal fixture with a distinctive finish. Classic handblown glass spheres are anchored to either one or both ends of a robust decagonal metal prism that lends the collection its name. The shape in combination with the striking surface reflect light at different and unexpected angles, like a prism. With a choice of two different elegant finishes – brushed steel, galvanized yellow zinc sandblasted + matte lacquer – the light is a bold artistic object in the interior offering unique vertical, horizontal, and diagonal compositions with subtle colourful reflections. The collection consists of a horizontal pendent light with dual glass spheres and a vertical pendent light with a single glass sphere, both of which hang from wire ropes. Another typological variant is an impressive floor light, a majestic light sculpture in the form of a robust upright decagon topped with a luminous glass sphere. The structured finish on the metal fixture is one of the defining traits of the collection, and together with transparent glass or grey smoke glass constitutes a jewel with which to adorn private interiors as well as hotels and restaurants.

DESIGN LUCIE KOLDOVA

PRISMA

Dominance,
extravagance,
thrill, fire,
revolution





The outdoor collection called Dome Nomad takes inspiration from the domes of Venice. Dome Nomad is an outdoor lamp whose dome shape represents eternity and the vastness of the celestial vault. The dome shape of the handblown glass section comes in one of two variants: smooth clear glass or wavy clear glass. Dome Nomad is a portable rechargeable outdoor lamp, the lines of which are a nod towards Italian architecture. The gentle light passes through an opal diffuser and the namesake glass shade. The Dome Nomad collection complies with the IP44 safety and technological standards for outdoor lighting. The simple design features refined stainless steel finished in an environmentally friendly powder coating for outstanding resistance to the elements. The LED source can withstand freezing temperatures. Multiple layers of molten glass are used to make the glass shade, and each one is subjected to the utmost scrutiny by the master glassmakers before being blown into the mould. Dome Nomad can be placed on a table or floor. It is a design experience that adds a special charm both to gardens and terraces as well as to interior spaces.

DESIGN
LCM MARIN DESIGN STUDIO

DOME NOMAD



Timelessness, admiration,
the best of history
transformed into the future



SFERA PORTABLE

Sfera Portable is a rechargeable outdoor light that comes in two sizes. It is one of the latest additions to the BROKIS outdoor lighting portfolio. Sfera Portable is based on the idea of a small sphere of light set within a poured concrete base with the same subtle multiangular detail used throughout the Sfera family. The delicate sphere of handblown matte or gloss glass resides beneath a stainless-steel hoop, which serves as a handle for moving the light from one place to another. The concrete base houses not only the charging module but also a sensitive touch dimmer with which to adjust the brightness. Sfera Portable is fitted with an LED light source with diffusor and meets the safety and technological standards of the IP44 rating for outdoor use. The sphere as a timeless and perfect shape whose allure never ceases to capture the imagination. Handblown glass anchored in a raw, almost brutalist concrete base is an excellent match for modern architecture, but it can also be used to great effect when set in contrast with historical architecture. Sfera Portable is a stylish atmospheric lighting object designed for both outdoor and indoor use. Thanks to its simple construction, the light can be easily picked up and moved to change the ambience of any space.

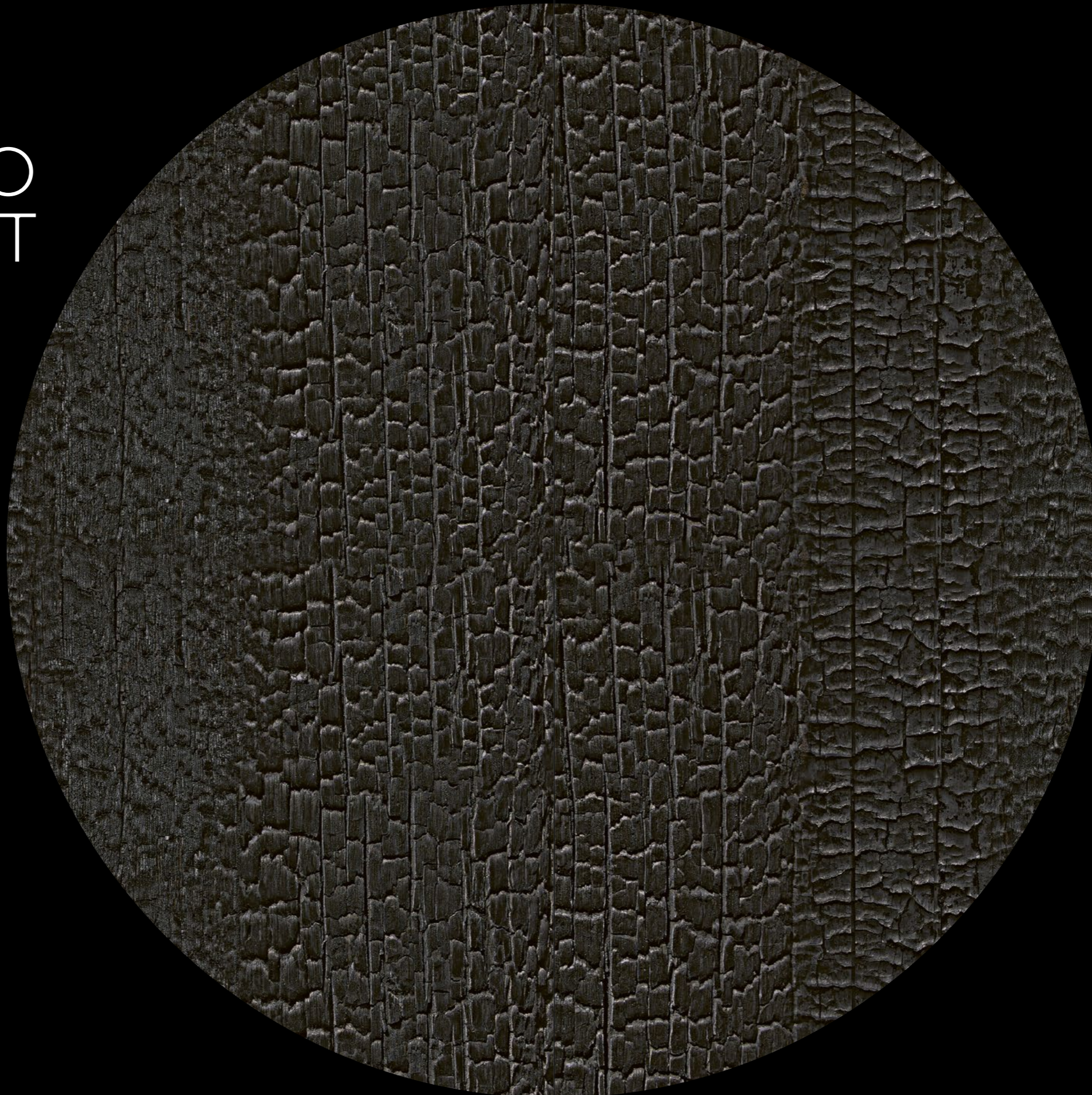
DESIGN LUCIE KOLDOVA



Mobility, dynamism,
classic elegance,
the sun that never sets



BAMBOO FOREST



Bamboo Forest draws inspiration from the vertical contours rising up in stands of bamboo. Conceived to evoke a unique atmospheric ambience, the handsculpted glass forms a bamboo stalk complete with the typical nodal ring, where the material thickens, creating a soft accent in the form of subtle shadows. With different sizes and varying positions of the node on the stalks, thanks to which the origins of the collection are at once recognizable, compositions of multiple lights transform the interior into a sanctuary replete with the soothing tranquillity of a natural bamboo forest. The innovative BROKIS connector enhances the overall variability of the lights by simplifying not only installation of large sets but also maintenance and cleaning. Bamboo Forest is unique for the unusual shape of the lights, which come in six different variants, as well as for the possibilities the collection offers in creating both original combinations and single-point accent lighting in interior spaces.

DESIGN FUMIE SHIBATA

Accent,
atmosphere,
variability,
subtlety





Trottola is a new collection of suspension and table lights whose shape elicit memories of a popular childhood toy – the spinning top. The aesthetics of the design are carried on an enchanting luminance that passes through an opal diffusor and opaline or pearl grey glass to reveal a playful contrast of shadows and light. The LED source, visible only from above, is housed in a base clad in pressed aluminium, which in turn is finished in an attractive and durable black elox. Brightness can be adjusted with a simple turn of the elegant dimmer. Trottola offers two sizes of suspension and table lights in handblown opaline glass. The table variant is fitted with the innovative BROKIS connector, which makes it easy to disconnect the light and move it about the interior and also facilitates disassembly for maintenance.

DESIGN FEDERICO PERI

TROTTOLA

Memories,
gentle glow,
play on forms,
mobility



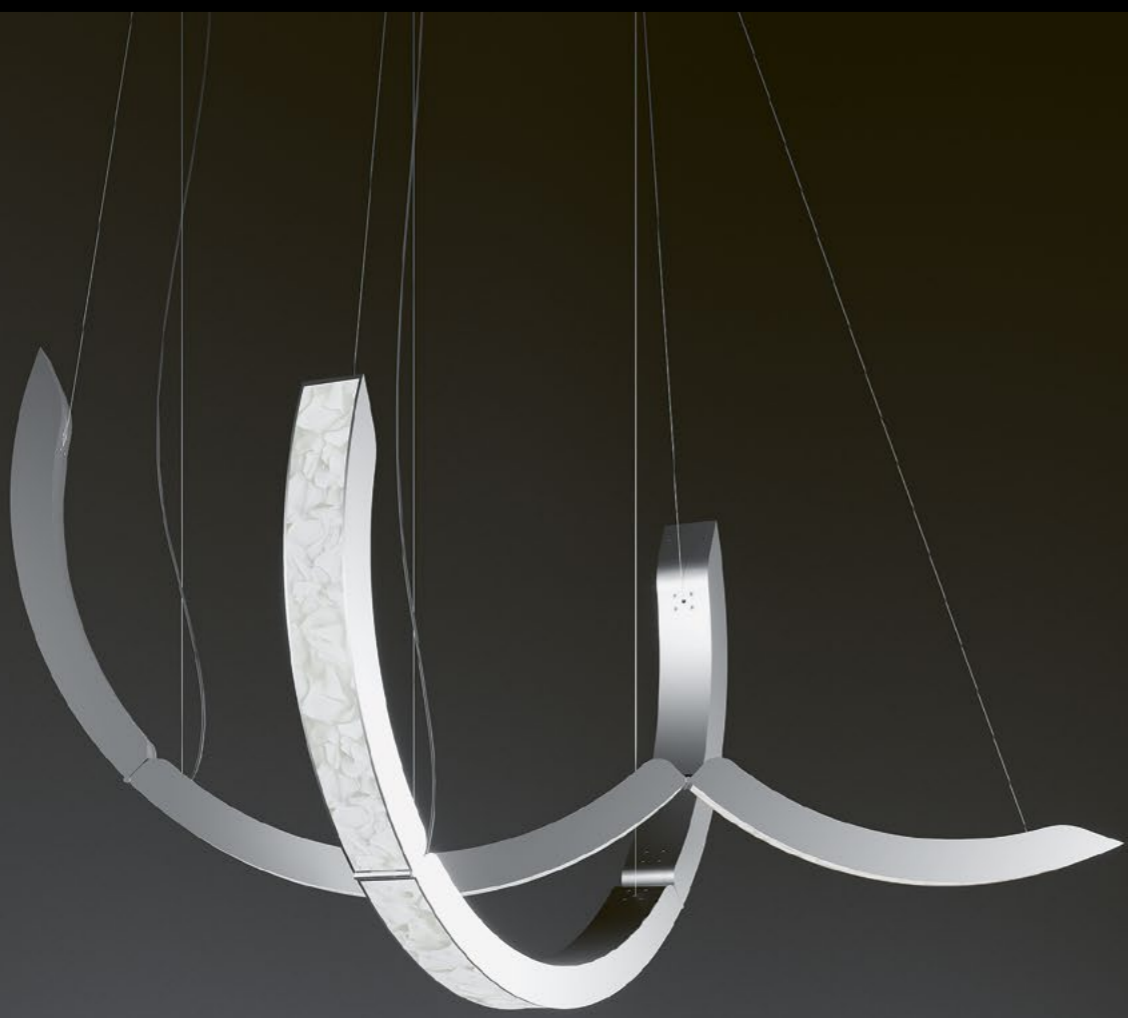




Elo, an innovative new suspension light combining the distinctive textures of BROKISGLASS with elegant aluminium framing, comprises three articulated arches, the outer two of which can be locked in different attitudes. The unique solution offers a variety of striking scenographic compositions that can shape the interior and lend it a dominant design element. The name Elo means 'ring' or 'bond', words that adeptly express the grand decorative potential and remarkable variability of the concept, a sculpturesque entity that can be modified and customized as the demands of the setting evolve. The glass is set in elegant metal frames crafted from aluminium, which ensures outstanding structural integrity. Illumination is provided by flexible LEDs that follow the curvature of the arches, underscoring the intrinsic aesthetic beauty of the BROKISGLASS and effecting a charming diffusion of light no matter what configuration the piece is installed in.

DESIGN FILIPPO MAMBRETTI

ELO

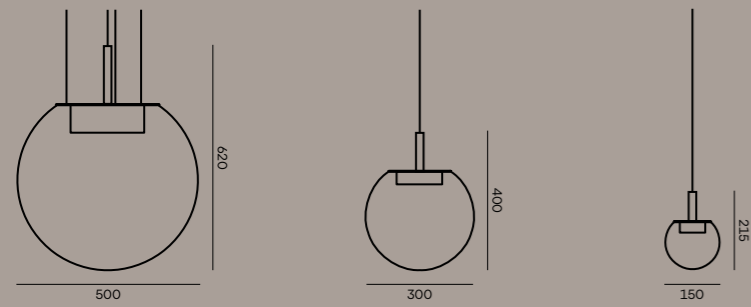


Elegant, sculptural,
scenographic, monumental,
sustainable, minimalistic





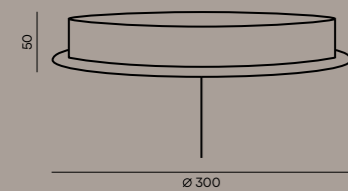
INDEX



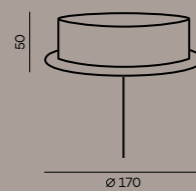
PC1291

PC1290

PC1289



Canopy for PC1291



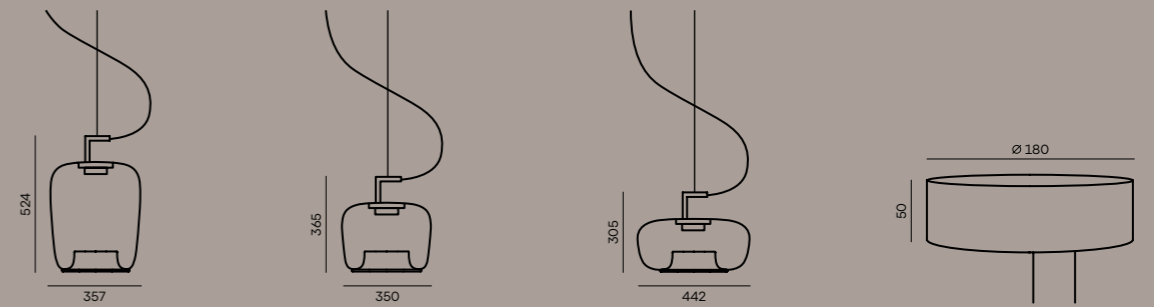
Canopy for PC1290, PC1289

p. 6—7 | PH9982
PC1289 (CGC23, CGSU66, CCS2910, CCSC2909, CECL1918)
 GLASS COLOUR: transparent glass
 GLASS SURFACE: glossy surface
 BODY FINISH: metal – grey-beige matte powder coating
 CANOPY FINISH: metal – grey-beige matte powder coating
 CABLE COLOUR: textile cable – light grey
PC1290 (CGC515, CGSU66, CCS2893, CCSC2892, CECL1918)
 GLASS COLOUR: amber – transparent glass
 GLASS SURFACE: glossy surface
 BODY FINISH: metal – okra matte powder coating
 CANOPY FINISH: metal – okra matte powder coating
 CABLE COLOUR: textile cable – light grey
PC1291 (CGC46, CGSU66, CCS2891, CCSC2890, CECL1918)
 GLASS COLOUR: light pink – transparent glass
 GLASS SURFACE: glossy surface
 BODY FINISH: metal – pink matte powder coating
 CANOPY FINISH: metal – pink matte powder coating
 CABLE COLOUR: textile cable – light grey

PC12910 (CGC2889, CGSU66, CCS2895, CCSC2894, CECL1918)
 GLASS COLOUR: light smoke brown – transparent glass
 GLASS SURFACE: glossy surface
 BODY FINISH: metal – khaki matte powder coating
 CANOPY FINISH: metal – khaki matte powder coating
 CABLE COLOUR: textile cable – light grey

p. 8—9 | PH9561
PC1289 (CGC23, CGSU66, CCS2910, CCSC2909, CECL1918)
 GLASS COLOUR: transparent glass
 GLASS SURFACE: glossy surface
 BODY FINISH: metal – grey-beige matte powder coating
 CANOPY FINISH: metal – grey-beige matte powder coating
 CABLE COLOUR: textile cable – light grey
PC1290 (CGC515, CGSU66, CCS2893, CCSC2892, CECL1918)
 GLASS COLOUR: amber – transparent glass
 GLASS SURFACE: glossy surface
 BODY FINISH: metal – okra matte powder coating
 CANOPY FINISH: metal – okra matte powder coating
 CABLE COLOUR: textile cable – light grey

PC1291 (CGC46, CGSU66, CCS2891, CCSC2890, CECL1918)
 GLASS COLOUR: light pink – transparent glass
 GLASS SURFACE: glossy surface
 BODY FINISH: metal – pink matte powder coating
 CANOPY FINISH: metal – pink matte powder coating
 CABLE COLOUR: textile cable – light grey
PC1290 (CGC2889, CGSU66, CCS2895, CCSC2894, CECL1918)
 GLASS COLOUR: light smoke brown – transparent glass
 GLASS SURFACE: glossy surface
 BODY FINISH: metal – khaki matte powder coating
 CANOPY FINISH: metal – khaki matte powder coating
 CABLE COLOUR: textile cable – light grey

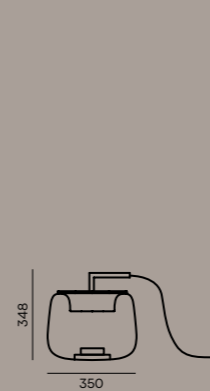


PC1295

PC1294

PC1293

Canopy for single lights



PC1296



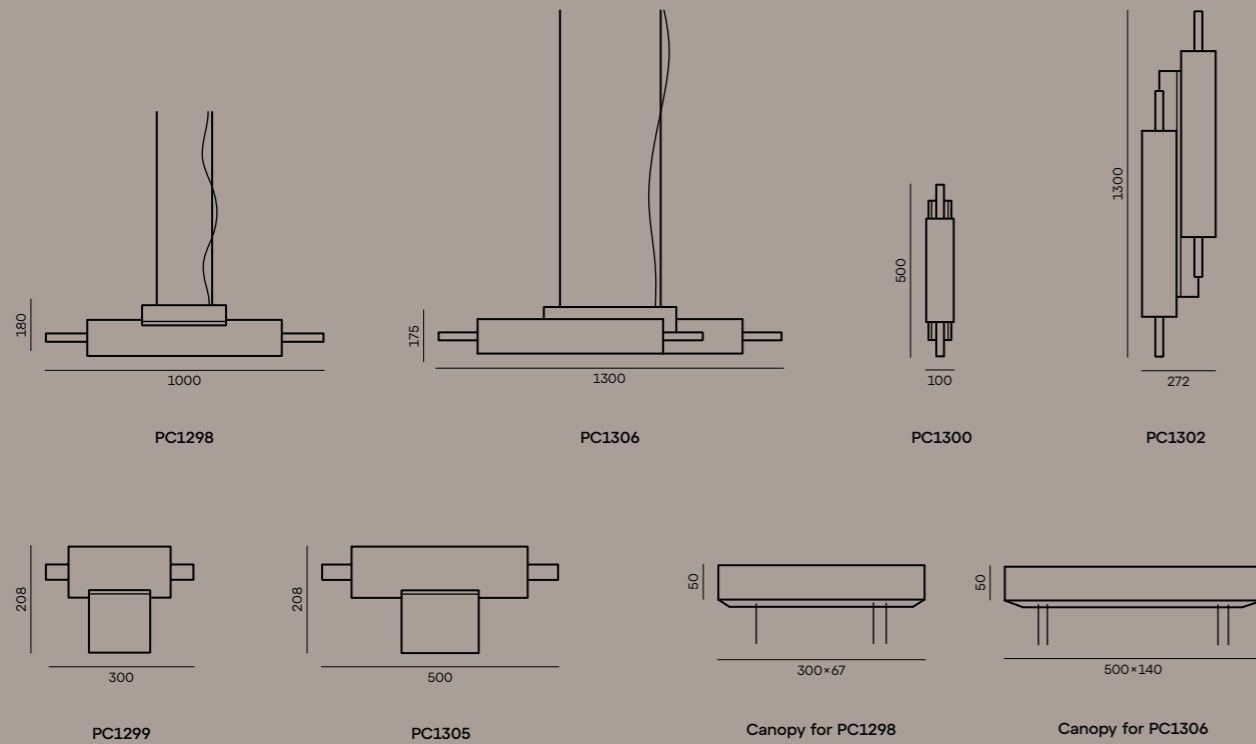
PC1297

p. 12—13 | PH9986
PC1297 (CGC516, CGSU66, CCS2673, CECL519)
 GLASS COLOUR: smoke brown – transparent glass
 GLASS SURFACE: glossy surface
 BODY FINISH: metal – black matte powder coating with structure
 CABLE COLOUR: textile cable – black
PC1296 (CGC516, CGSU66, CCS2673, CECL519)
 GLASS COLOUR: smoke brown – transparent glass
 GLASS SURFACE: glossy surface
 BODY FINISH: metal – black matte powder coating with structure
 CABLE COLOUR: textile cable – black

p. 14 | PH9985
PC1295 (CGC538, CGSU66, CCS2673, CCSC2674, CECL519)
 GLASS COLOUR: smoke brown – transparent glass
 GLASS SURFACE: glossy surface
 BODY FINISH: metal – black matte powder coating with structure
 CANOPY FINISH: metal – black matte powder coating with structure
 CABLE COLOUR: textile cable – black

PC1294 (CGC538, CGSU66, CCS2673, CCSC2674, CECL519)
 GLASS COLOUR: smoke brown – transparent glass
 GLASS SURFACE: glossy surface
 BODY FINISH: metal – black matte powder coating with structure
 CANOPY FINISH: metal – black matte powder coating with structure
 CABLE COLOUR: textile cable – black
PC1293 (CGC538, CGSU66, CCS2673, CCSC2674, CECL519)
 GLASS COLOUR: smoke brown – transparent glass
 GLASS SURFACE: glossy surface
 BODY FINISH: metal – black matte powder coating with structure
 CANOPY FINISH: metal – black matte powder coating with structure
 CABLE COLOUR: textile cable – black

p. 15 | PH10078
PC1296 (CGC516, CGSU66, CCS2673, CECL519)
 GLASS COLOUR: smoke brown – transparent glass
 GLASS SURFACE: glossy surface
 BODY FINISH: metal – black matte powder coating with structure
 CABLE COLOUR: textile cable – black



p. 18—19 | PH9991

PC1306 (CGC515, CGSU67, CSFB2880, CCSC2883, CECL1918)
 GLASS COLOUR: amber – transparent glass
 GLASS SURFACE: acid-etched outside surface
 BASE FINISH: high-performance concrete with glass fragments – white
 CANOPY FINISH: high-performance concrete with glass fragments – natural
 CABLE COLOUR: textile cable – light grey

PC1298 (CGC23, CGSU67, CSFB2879, CCSC2882, CECL521)
 GLASS COLOUR: transparent glass
 GLASS SURFACE: acid-etched outside surface
 BASE FINISH: high-performance concrete with glass fragments – white
 CANOPY FINISH: high-performance concrete with glass fragments – white
 CABLE COLOUR: textile cable – white

PC1299 (CGC515, CGSU67, CSFB2880, CECL1918)
 GLASS COLOUR: amber – transparent glass
 GLASS SURFACE: acid-etched outside surface
 BASE FINISH: high-performance concrete with glass fragments – natural
 CABLE COLOUR: textile cable – light grey

PC1300 (CGC516, CGSCU66, CSFB2880)
 GLASS COLOUR: smoke grey – transparent glass
 GLASS SURFACE: glossy surface
 BASE FINISH: high-performance concrete with glass fragments – natural

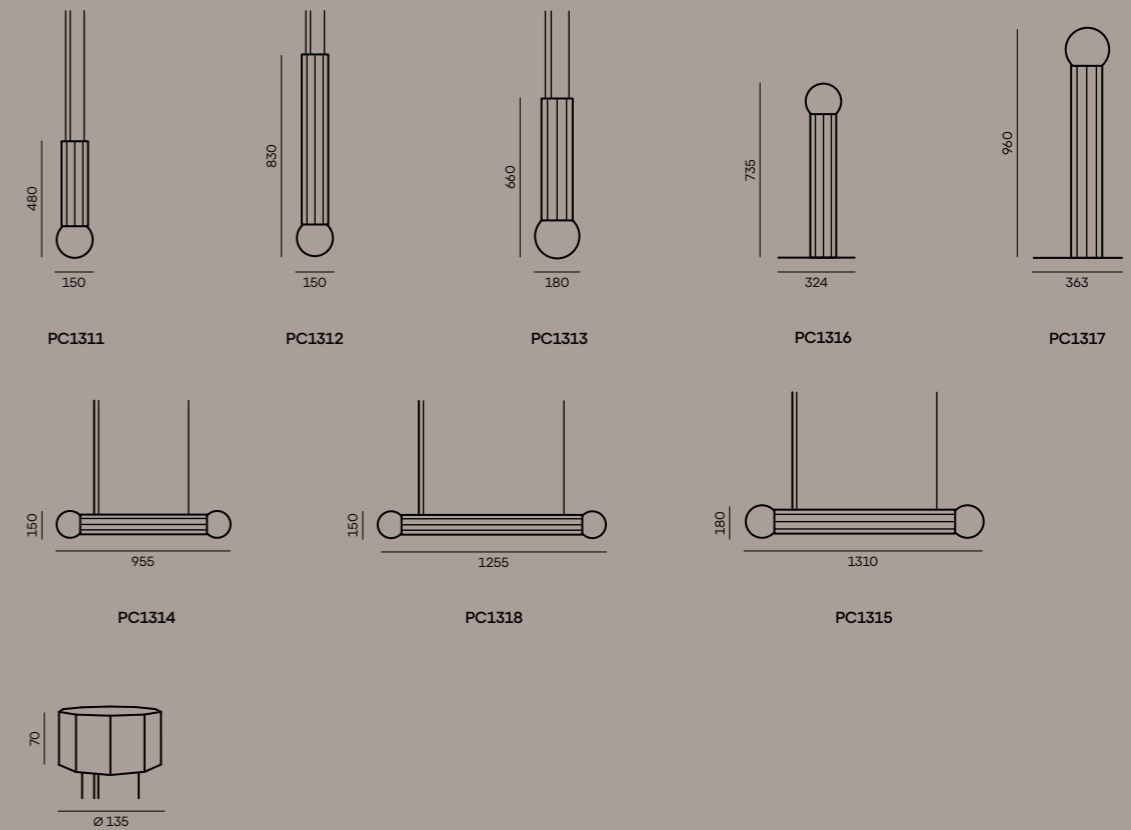
p. 20 | PH10063

PC1305 (CGC515, CGSU66, CSFB2879, CECL1918)
 GLASS COLOUR: amber – transparent glass
 GLASS SURFACE: glossy surface
 BASE FINISH: high-performance concrete with glass fragments – white
 CABLE COLOUR: textile cable – light grey

PC1302 (CGC515, CGSU67, CSFB2879)
 GLASS COLOUR: amber – transparent glass
 GLASS SURFACE: acid-etched outside surface
 BASE FINISH: high-performance concrete with glass fragments – white

p. 21 | PH8754

PC1299 (CGC23, CGSU66, CSFB2879, CECL520)
 GLASS COLOUR: transparent glass
 GLASS SURFACE: glossy surface
 BASE FINISH: high-performance concrete with glass fragments – white
 CABLE COLOUR: textile cable – dark grey



p. 24—25 | PH9994

PC1315 (CGC516, CGSU66, CCS2918, CCSC2919, CECL2772)
 GLASS COLOUR: smoke grey – transparent glass
 GLASS SURFACE: glossy surface
 BODY FINISH: yellow zinc sandblasted
 + matte lacquer
 CANOPY FINISH: yellow zinc sandblasted
 + matte lacquer
 CABLE COLOUR: coaxial cable – silver

PC1314 (CGC516, CGSU66, CCS2918, CCSC2919, CECL2772)
 GLASS COLOUR: smoke grey – transparent glass
 GLASS SURFACE: glossy surface
 BODY FINISH: yellow zinc sandblasted
 + matte lacquer
 CANOPY FINISH: yellow zinc sandblasted
 + matte lacquer
 CABLE COLOUR: coaxial cable – silver

PC1316 (CGC516, CGSU66, CCS2918, CECL1918)
 GLASS COLOUR: smoke grey – transparent glass
 GLASS SURFACE: glossy surface
 BODY FINISH: yellow zinc sandblasted
 + matte lacquer
 CANOPY FINISH: yellow zinc sandblasted
 + matte lacquer
 CABLE COLOUR: textile cable – light grey

PC1313 (CGC516, CGSU66, CCS2918, CCSC2919, CECL2772)
 GLASS COLOUR: smoke grey – transparent glass
 GLASS SURFACE: glossy surface
 BODY FINISH: yellow zinc sandblasted
 + matte lacquer
 CANOPY FINISH: yellow zinc sandblasted
 + matte lacquer
 CABLE COLOUR: coaxial cable – silver

p. 26 | PH9995

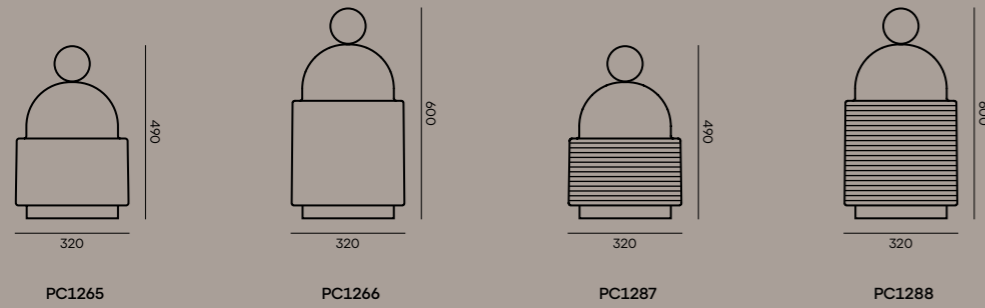
PC1311 (CGC516, CGSU66, CCS2918, CCSC2919, CECL2772)
 GLASS COLOUR: smoke grey – transparent glass
 GLASS SURFACE: glossy surface
 BODY FINISH: yellow zinc sandblasted
 + matte lacquer
 CANOPY FINISH: yellow zinc sandblasted
 + matte lacquer
 CABLE COLOUR: coaxial cable – silver

PC1312 (CGC516, CGSU66, CCS2918, CCSC2919, CECL2772)
 GLASS COLOUR: smoke grey – transparent glass
 GLASS SURFACE: glossy surface
 BODY FINISH: yellow zinc sandblasted
 + matte lacquer
 CANOPY FINISH: yellow zinc sandblasted
 + matte lacquer
 CABLE COLOUR: coaxial cable – silver

PC1318 (CGC516, CGSU66, CCS2918, CECL1918)
 GLASS COLOUR: smoke grey – transparent glass
 GLASS SURFACE: glossy surface
 BODY FINISH: yellow zinc sandblasted
 + matte lacquer
 CANOPY FINISH: yellow zinc sandblasted
 + matte lacquer
 CABLE COLOUR: textile cable – light grey

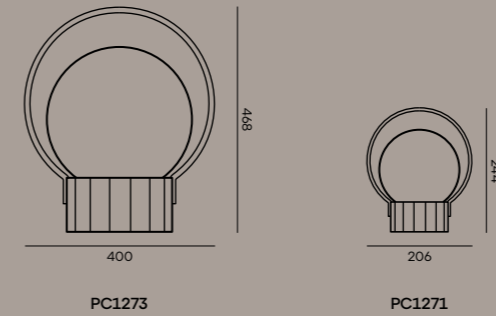
p. 27 | PH9311

PC1317 (CGC516, CGSU66, CCS2918, CCSC2919, CECL2772)
 GLASS COLOUR: smoke grey – transparent glass
 GLASS SURFACE: glossy surface
 BODY FINISH: yellow zinc sandblasted
 + matte lacquer
 CANOPY FINISH: yellow zinc sandblasted
 + matte lacquer
 CABLE COLOUR: coaxial cable – silver



p. 30—31 | PH10001
PC1265 (CGC39, CGSU66, CCS584, CECL2838)
 GLASS COLOUR: triplex opal
 GLASS SURFACE: glossy surface
 BODY FINISH: copper
 CABLE COLOUR: black charging cable
 USB 2/Mag, 5V
PC1266 (CGC538, CGSU66, CCS69, CECL2838)
 GLASS COLOUR: smoke brown – transparent glass
 GLASS SURFACE: glossy surface
 BODY FINISH: brass
 CABLE COLOUR: black charging cable
 USB 2/Mag, 5V
PC1288 (CGC516, CGSU66, CCS69, CECL2838)
 GLASS COLOUR: smoke grey – transparent glass
 GLASS SURFACE: glossy surface
 BODY FINISH: brass
 CABLE COLOUR: black charging cable
 USB 2/Mag, 5V

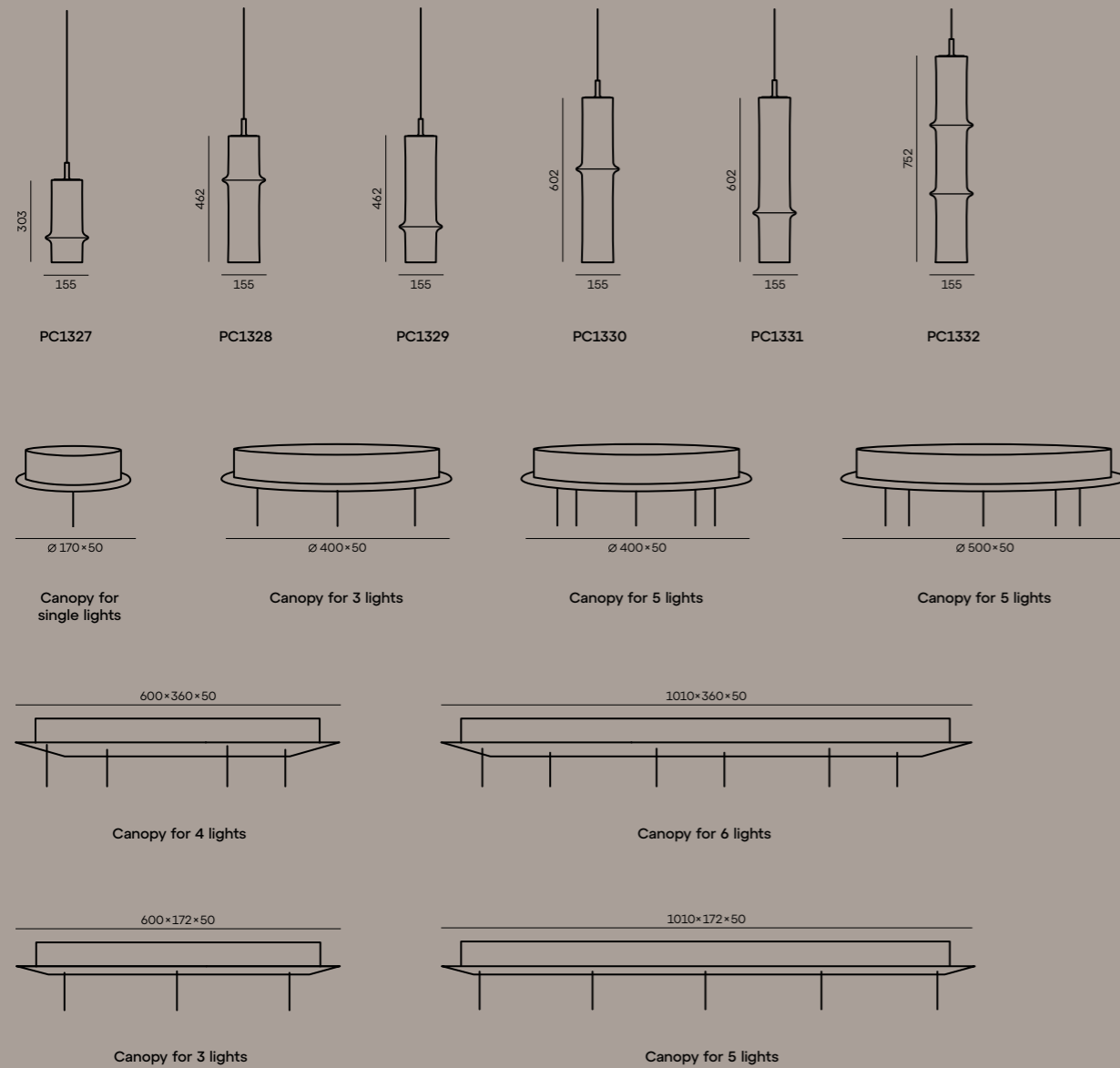
p. 32—33 | PH7644
PC1288 (CGC516, CGSU66, CCS69, CECL2838)
 GLASS COLOUR: smoke grey – transparent glass
 GLASS SURFACE: glossy surface
 BODY FINISH: brass
 CABLE COLOUR: black charging cable
 USB 2/Mag, 5V
PC1266 (CGC516, CGSU66, CCS2673, CECL2838)
 GLASS COLOUR: smoke grey – transparent glass
 GLASS SURFACE: glossy surface
 BODY FINISH: metal – black matte powder coating with structure
 CABLE COLOUR: black charging cable
 USB 2/Mag, 5V
PC1265 (CGC38, CGSU66, CCS584, CECL2838)
 GLASS COLOUR: opaline
 GLASS SURFACE: glossy surface
 BODY FINISH: copper
 CABLE COLOUR: black charging cable
 USB 2/Mag, 5V



p. 36—37 | PH10006
PC1273 (CGC39, CGSU881, CCS846, CSFB2840, CECL2837)
 GLASS COLOUR: triplex opal
 GLASS SURFACE: acid-etched both side surface
 BODY FINISH: metal – black matte powder coating
 BASE FINISH: high performance concrete – natural
 CABLE COLOUR: black charging cable
 USB 2/USB-C, 5V
PC1271 (CGC516, CGSU66, CCS846, CSFB2840, CECL2837)
 GLASS COLOUR: smoke grey – transparent glass
 GLASS SURFACE: glossy surface
 BODY FINISH: metal – black matte powder coating
 BASE FINISH: high performance concrete – natural
 CABLE COLOUR: black charging cable
 USB 2/USB-C, 5V
PC1273 (CGC516, CGSU66, CCS846, CSFB2840, CECL2837)
 GLASS COLOUR: smoke grey – transparent glass
 GLASS SURFACE: glossy surface
 BODY FINISH: metal – black matte powder coating
 BASE FINISH: high performance concrete – natural
 CABLE COLOUR: black charging cable
 USB 2/USB-C, 5V

PC1271 (CGC516, CGSU66, CCS846, CSFB2842, CECL2837)
 GLASS COLOUR: smoke grey – transparent glass
 GLASS SURFACE: glossy surface
 BODY FINISH: metal – black matte powder coating
 BASE FINISH: high performance concrete – terracotta
 CABLE COLOUR: black charging cable
 USB 2/USB-C, 5V
 p. 38 | PH10066
PC1273 (CGC538, CGSU66, CCS846, CSFB2840, CECL2837)
 GLASS COLOUR: smoke brown – transparent glass
 GLASS SURFACE: glossy surface
 BODY FINISH: metal – black matte powder coating
 BASE FINISH: high performance concrete – natural
 CABLE COLOUR: black charging cable
 USB 2/USB-C, 5V
PC1271 (CGC538, CGSU66, CCS846, CSFB2840, CECL2837)
 GLASS COLOUR: smoke brown – transparent glass
 GLASS SURFACE: glossy surface
 BODY FINISH: metal – black matte powder coating
 BASE FINISH: high performance concrete – natural
 CABLE COLOUR: black charging cable
 USB 2/USB-C, 5V

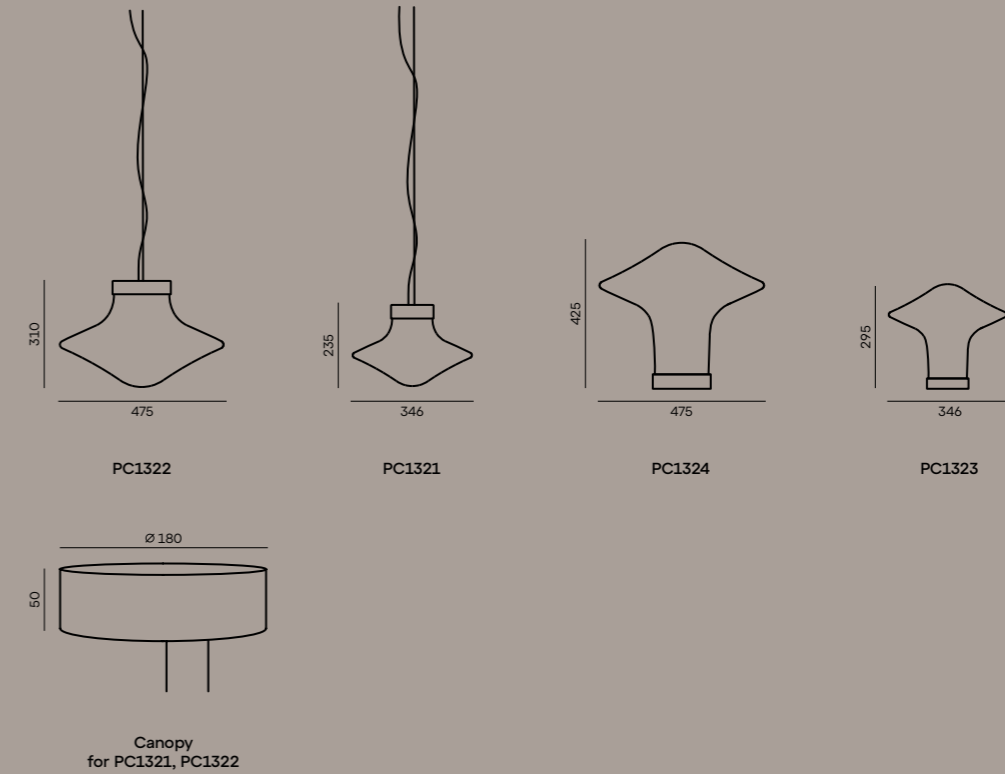
p. 39 | PH8109
PC1271 (CGC516, CGSU66, CCS68, CSFB2842, CECL2837)
 GLASS COLOUR: smoke grey – transparent glass
 GLASS SURFACE: glossy surface
 BODY FINISH: brushed stainless steel
 BASE FINISH: high performance concrete – terracotta
 CABLE COLOUR: black charging cable
 USB 2/USB-C, 5V



p. 42—43 | PH10009
2×PC1327—PC1328—PC1329—PC1332—PC1330—PC1331 (CGC2932, CGSU66, CCS1948, CCSC2674, CECL519)
 GLASS COLOUR: light smoke grey – transparent glass
 GLASS SURFACE: glossy surface
 BODY FINISH: black anodized
 CANOPY FINISH: metal – black matte powder coating with structure
 CABLE COLOUR: textile cable – black

p. 44 | PH10010
PC1327—2×PC1328—PC1329—2×PC1330—PC1331 (CGC2932, CGSU66, CCS1948, CCSC2674, CECL519)
 GLASS COLOUR: light smoke grey – transparent glass
 GLASS SURFACE: glossy surface
 BODY FINISH: black anodized
 CANOPY FINISH: metal – black matte powder coating with structure
 CABLE COLOUR: textile cable – black

p. 45 | PH10027
PC1329—PC1327—PC1331—PC1330—PC1328 (CGC538, CGSU66, CCS1948, CCSC2674, CECL519)
 GLASS COLOUR: smoke brown – transparent glass
 GLASS SURFACE: glossy surface
 BODY FINISH: black anodized
 CANOPY FINISH: metal – black matte powder coating with structure
 CABLE COLOUR: textile cable – black



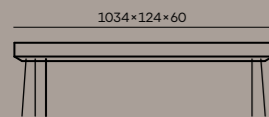
p. 48—49 | PH10016
PC1322 (CGC38, CGSU66, CCS1948, CCSC2674, CECL519)
 GLASS COLOUR: opaline – transparent glass
 GLASS SURFACE: glossy surface
 BODY FINISH: black anodized
 CANOPY FINISH: metal – black matte powder coating with structure
 CABLE COLOUR: textile cable – black
PC1324 (CGC38, CGSU66, CCS1948, CECL519)
 GLASS COLOUR: opaline – transparent glass
 GLASS SURFACE: glossy surface
 BODY FINISH: black anodized
 CABLE COLOUR: textile cable – black
PC1321 (CGC38, CGSU66, CCS1948, CCSC2674, CECL519)
 GLASS COLOUR: opaline – transparent glass
 GLASS SURFACE: glossy surface
 BODY FINISH: black anodized
 CANOPY FINISH: metal – black matte powder coating with structure
 CABLE COLOUR: textile cable – black
PC1323 (CGC38, CGSU66, CCS1948, CECL519)
 GLASS COLOUR: opaline – transparent glass
 GLASS SURFACE: glossy surface
 BODY FINISH: black anodized
 CABLE COLOUR: textile cable – black

p. 50 | PH10016
PC1324 (CGC38, CGSU66, CCS1948, CECL519)
 GLASS COLOUR: opaline – transparent glass
 GLASS SURFACE: glossy surface
 BODY FINISH: black anodized
 CABLE COLOUR: textile cable – black
PC1323 (CGC38, CGSU66, CCS1948, CECL519)
 GLASS COLOUR: opaline – transparent glass
 GLASS SURFACE: glossy surface
 BODY FINISH: black anodized
 CABLE COLOUR: textile cable – black

p. 51 | PH10015
PC1322 (CGC1916, CGSU66, CCS1948, CCSC2674, CECL519)
 GLASS COLOUR: pearl grey – opaline glass
 GLASS SURFACE: glossy surface
 BODY FINISH: black anodized
 CANOPY FINISH: metal – black matte powder coating with structure
 CABLE COLOUR: textile cable – black
PC1321 (CGC1916, CGSU66, CCS1948, CCSC2674, CECL519)
 GLASS COLOUR: pearl grey – opaline glass
 GLASS SURFACE: glossy surface
 BODY FINISH: black anodized
 CANOPY FINISH: metal – black matte powder coating with structure
 CABLE COLOUR: textile cable – black



PC1326



p. 54—55 | PH10017

PC1326 (CGC2676, CGSU66, CCS2935, CCSC2934, CECL1918)

GLASS COLOUR: triplex opal BROKISGLASS
GLASS SURFACE: glossy surface
BODY FINISH: sandblasted aluminium transparent powder coating
CANOPY FINISH: sandblasted aluminium transparent powder coating
CABLE COLOUR: textile cable – light grey

PC1326 (CGC2676, CGSU66, CCS2935, CCSC2934, CECL1918)

GLASS COLOUR: triplex opal BROKISGLASS
GLASS SURFACE: glossy surface
BODY FINISH: sandblasted aluminium transparent powder coating
CANOPY FINISH: sandblasted aluminium transparent powder coating
CABLE COLOUR: textile cable – light grey

p. 56—57 | PH10034

PC1326 (CGC2677, CGSU66, CCS2673, CCSC2674, CECL519)

GLASS COLOUR: smoke grey BROKISGLASS
GLASS SURFACE: glossy surface
BODY FINISH: metal – black matte powder coating with structure
CANOPY FINISH: metal – black matte powder coating with structure
CABLE COLOUR: textile cable – black

The lights are listed in the index in the same order as they appear from left in the photograph. For groups of more than five lights, only the codes of the lights are given without further specification of their number within the given photograph.

IMPORTANT INFORMATION

BROKIS products and services can be found on the latest version of our website – www.brokis.cz. Our sales partners are regularly informed of news and any changes to products and/or services. In order to streamline cooperation with our sales partners and promote sales of our products and services, we've created new marketing tools, which are available through the MY BROKIS partner platform at www.mybrokis.cz. These tools, which include ordering, informative documents, PR materials, and an overview of complementary services, support product sales growth and help us develop. BROKIS is also introducing optional product registration, which will allow customers to verify the authenticity of their lights. More information on product registration can be found in a special QR code at the end of the catalogue.

CLEANING INFORMATION

As with all products, BROKIS lights require periodic cleaning. Dust, grease, and film affect

the visual quality of any item made of glass. It is in the interest of the user to maintain the singular appearance of the lights. This can only be achieved through regular cleaning. When neglected, the cleaning process becomes unnecessarily time consuming. The cleaning interval depends on the environment the lights are installed in and is primarily influenced by humidity levels, temperature stability, and the amount of dust in the air. BROKIS applies the highest possible quality standards in manufacturing its lights. Prior to shipping, each light undergoes several quality controls and stages of cleaning. Lights may require additional cleaning as a result of transportation, storage, and the amount of time that passes between packing and subsequent unpacking by the client. Therefore, we recommend cleaning the lights prior to installation.

RECOMMENDED CLEANING METHODS

When cleaning lights from any of our collections, we recommend first disassembling them according to the instructions in the installation manual and then securing the glass components against mechanical damage. The glass must first be rinsed in hot water and a dilution of dish detergent to remove all foreign particles and dust. Repeat this process if necessary. The glass must then be cleaned

a second time using hot water and a dilution of degreaser (such as ammonia or vinegar) and thoroughly rinsed under running hot water. Repeat this process if necessary. Next, dry the glass thoroughly with a paper or a soft cotton towel. Only reassemble the light once the glass has cooled completely. Do not use mineral spirits, highly concentrated thinners, or other substances not intended for use on glass surfaces. Do not use products containing silicone, since they quickly attract more dust and grease.

BROKIS
WEBSITE



BROKIS
PROJECTS



MY
BROKIS



PROMO
VIDEO



BROKIS VIRTUAL
PROJECTS



BROKISGLASS



BROKIS
CATALOGUE



TECHNICAL INFORMATION
ABOUT PRODUCTS



Cleaning information
and unpacking the box



Technical
information



Product
registration



ARCHI
TONIC



archiproducts



archilovers



Linktree*



Linktree is a platform that
brings all important links
together in one place.

**BROKIS, s.r.o.**

OFFICE

Španielova 1315/25

163 00 Prague 6

Czech Republic

SHOWROOM

Sídliště Janštejn 39

588 52 Horní Dubenky

Czech Republic

www.brokis.czinfo@brokis.cz**DESIGNERS**

Lucie Koldova

LCM Marin Design studio

Fumie Shibata

Federico Peri

Filippo Mambretti

PHOTO

Martin Chum

Lucie Koldova studio

Michal Novotný

Studio Salaris

SUPREMA

GRAPHIC DESIGN

Studio Marvil

